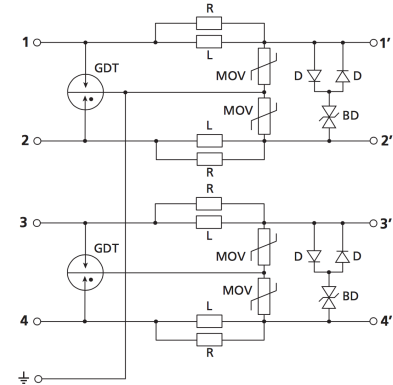
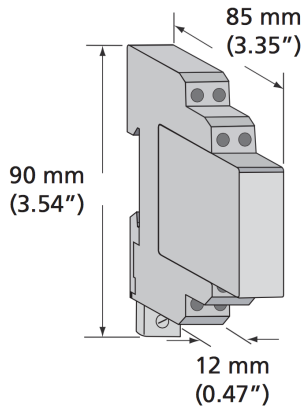


DATA/SIGNAL SPD, DUAL PAIR, DIN MOUNT

The DD-DP Surge Protector (SPD) by Omega Power is a high grade, DUAL pair, data protector that is designed for easy installation on 35mm DIN rail. The DD-DP is commonly used in industrial equipment such as PLCs, fire/security alarms, industrial monitoring and SCADA systems to **protect common data circuits, balanced pair signal lines**, or low voltage-low current AC or DC power supplies.

The DD-DP employs a high peak, hybrid, multi-stage clamping circuit to protect sensitive electronic equipment while minimizing line interference and insertion loss. The convenient plug in module with a separate base **facilitates service and replacement without re-wiring**.

The unique design of the DD series module allows for **easy field diagnostics. Removing the module from the base always re-establishes the circuit**, thus facilitating troubleshooting and field **diagnostics** and the immediate determination of SPD module status.



Part Number	DD5DP	DD15DP	DD30DP	DD60DP	DD110DP
Nominal System Voltage (Un)	0 - 3 VAC 0 - 5 VDC	3 - 10 VAC 5 - 15 VDC	10 - 21 VAC 15 - 30 VDC	21 - 42 VAC 30 - 60 VDC	100 - 120 VAC 60 - 154 VDC
Max Continuous Operating Voltage	5 VAC 7 VDC	12 VAC 18 VDC	23 VAC 33 VDC	45 VAC 64 VDC	150 VAC 170 VDC
Rated Load Current (IL)	800 mA				
Frequency	0.5 MHz	1.0 MHz	2.0 MHz	3.0 MHz	
Loop Resistance	1 Ω				
Max Discharge Current (Imax), L+L-PE	20 kA 8/20 μs				
Protection Modes	Common Differential				
Technology	Gas Discharge Tube (GDT) Metal Oxide Varistor (MOV) Silicon Avalanche Diode (SAD)				
Voltage Protection Level (Up), L-L	10 V @ 3 kA	25 V @ 3 kA	44 V @ 3 kA	85 V @ 3 kA	220 V @ 3 kA
Connection, Stranded	#18 – #14				
Enclosure Rating	IP 20 NEMA@-1				
Certification Details	UL® 497B				
Complies With	ANSI/IEEE® C62.41.2-2002 Cat A, Cat B, Cat C				
Certifications	CE NOM UR	CE NOM UR	CE NOM UR	CE NOM UR	CE NOM UR